



# Product Specification

B121EW04 V1

- Preliminary Specifications
- Final Specifications

<b>Module</b>	12.1" WXGA Color TFT-LCD
<b>Model Name</b>	B121EW04 V1

<b>Customer</b>	<b>Date</b>
_____	_____
<b>Checked &amp; Approved by</b>	
_____	
<p>Note: This Specification is subject to change without notice.</p>	

<b>Approved by</b>	<b>Date</b>
Howard Lee _____	2007/10/12 _____
<b>Prepared by</b>	
Weitse Hsu _____	
2007/10/12 _____	
<p>NBBU Marketing Division / AU Optronics corporation</p>	



## Contents

<b>1. Handling Precautions</b> .....	<b>4</b>
<b>2. General Description</b> .....	<b>5</b>
2.1 General Specification .....	5
2.2 Optical Characteristics .....	6
<b>3. Functional Block Diagram</b> .....	<b>11</b>
<b>4. Absolute Maximum Ratings</b> .....	<b>12</b>
4.1 Absolute Ratings of TFT LCD Module .....	12
4.2 Absolute Ratings of Backlight Unit .....	12
4.3 Absolute Ratings of Environment .....	12
<b>5. Electrical characteristics</b> .....	<b>13</b>
5.1 TFT LCD Module .....	13
5.2 Backlight Unit .....	15
<b>6. Signal Characteristic</b> .....	<b>16</b>
6.1 Pixel Format Image .....	16
6.2 The input data format .....	17
6.3 Signal Description/Pin Assignment .....	18
6.4 Interface Timing .....	20
6.5 Power ON/OFF Sequence .....	21
<b>7. Connector Description</b> .....	<b>22</b>
<b>8. Vibration and Shock Test</b> .....	<b>23</b>
8.1 Vibration Test .....	23
8.2 Shock Test Spec: .....	23
<b>9. Reliability</b> .....	<b>24</b>
<b>10. Mechanical Characteristics</b> .....	<b>25</b>
<b>11. Shipping and Package</b> .....	<b>27</b>
11.1 Shipping Label Format .....	27
11.2. Carton package .....	27
11.3 Shipping package of palletizing .....	28
<b>12. Appendix: EDID description</b> .....	<b>29</b>



# Product Specification

---

B121EW04 V1

## Record of Revision

Version and Date	Page	Old description	New Description	Remark
0.1 2007/09/27	All	First Edition for Customer		



## 1. Handling Precautions

- 1) Since front polarizer is easily damaged, pay attention not to scratch it.
- 2) Be sure to turn off power supply when inserting or disconnecting from input connector.
- 3) Wipe off water drop immediately. Long contact with water may cause discoloration or spots.
- 4) When the panel surface is soiled, wipe it with absorbent cotton or other soft cloth.
- 5) Since the panel is made of glass, it may break or crack if dropped or bumped on hard surface.
- 6) Since CMOS LSI is used in this module, take care of static electricity and insure human earth when handling.
- 7) Do not open nor modify the Module Assembly.
- 8) Do not press the reflector sheet at the back of the module to any directions.
- 9) In case if a Module has to be put back into the packing container slot after once it was taken out from the container, do not press the center of the LED Reflector edge. Instead, press at the far ends of the CFL Reflector edge softly. Otherwise the TFT Module may be damaged.
- 10) At the insertion or removal of the Signal Interface Connector, be sure not to rotate nor tilt the Interface Connector of the TFT Module.
- 11) After installation of the TFT Module into an enclosure (Notebook PC Bezel, for example), do not twist nor bend the TFT Module even momentary. At designing the enclosure, it should be taken into consideration that no bending/twisting forces are applied to the TFT Module from outside. Otherwise the TFT Module may be damaged.
- 12) Cold cathode fluorescent lamp in LCD contains a small amount of mercury. Please follow local ordinances or regulations for disposal.
- 13) Small amount of materials having no flammability grade is used in the LCD module. The LCD module should be supplied by power complied with requirements of Limited Power Source (IEC60950 or UL1950), or be applied exemption.
- 14) The LCD module is designed so that the LED in it is supplied by Limited Current Circuit (IEC60950 or UL1950). Do not connect the LED in Hazardous Voltage Circuit.



## 2. General Description

B121EW04 V2 is a Color Active Matrix Liquid Crystal Display composed of a TFT LCD panel, a driver circuit, LED backlight system, and a digitizer unit. The screen format is intended to support the WXGA (1280(H) x 800(V)) screen and 262k colors (RGB 6-bits data driver). All input signals are LVDS interface compatible.

B121EW04 V2 is designed for a display unit of tablet style personal computer and industrial machine.

### 2.1 General Specification

The following items are characteristics summary on the table at 25 °C condition:

Items	Unit	Specifications			
Screen Diagonal	[mm]	307.9 (12.1 W")			
Active Area	[mm]	261.12 (H) x 163.2 (V)			
Pixels H x V		1280x3(RGB) x 800			
Pixel Pitch	[mm]	0.204			
Pixel Arrangement		R.G.B. Vertical Stripe			
Display Mode		Normally White			
White Luminance (ILED=20.0mA) Note: ILED is lamp current	[cd/m <sup>2</sup> ]	220 Typ. (5 points average) 200 Min. (5 points average) (Note1)			
Luminance Uniformity		1.25 max. (5 points)			
Contrast Ratio		600:1 Typ.,500:1 Min.			
Optical Rise Time/Fall Time	[msec]	25 Typ., 35 Max.			
Nominal Input Voltage VDD	[Volt]	+3.3 Typ.			
Power Consumption	[Watt]	5.5 Max. (Including logic and BLU power,with LED circuit loss) @ 20.0 mA			
Weight (w/o Inverter)	[Grams]	220g Max.			
Physical Size	[mm]		L	W	T
		Max	294.1	178.5	3.5
		Typ	293.6	178.0	3.15
		min	293.1	177.5	-
Electrical Interface		1 channel LVDS			
Surface Treatment		Anti-galre, 3H			
Support Color		262K colors ( RGB 6-bit )			
Temperature Range	[°C]	Operating			
		Storage (Non-Operating)			
	[°C]	0 to +50 -20 to +60			
RoHS Compliance		RoHS Compliance			



# Product Specification

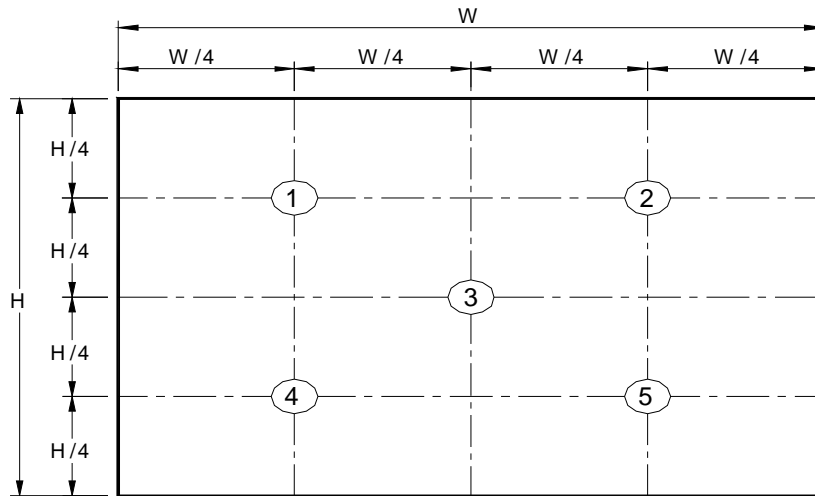
B121EW04 V1

## 2.2 Optical Characteristics

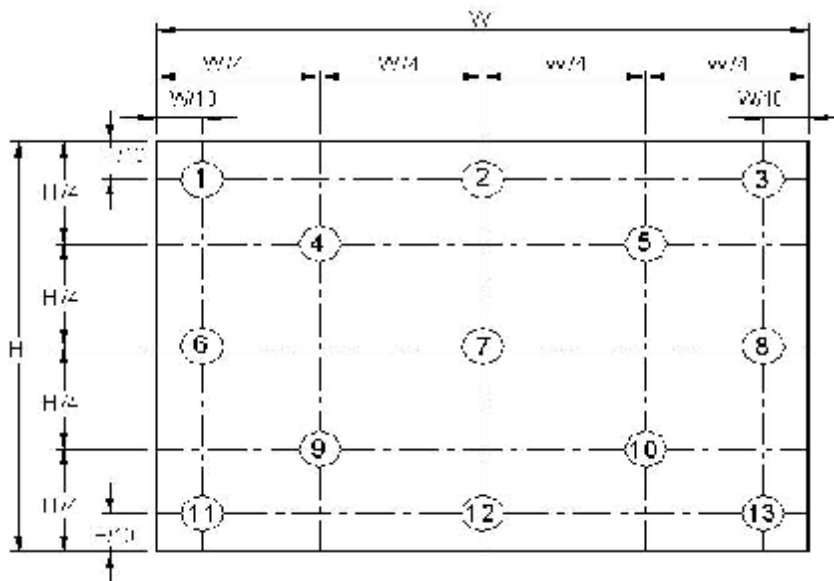
The optical characteristics are measured under stable conditions at 25°C (Room Temperature):

Item	Unit	Conditions	Min.	Typ.	Max.	Note
White Luminance ILED=20.0mA	[cd/m <sup>2</sup> ]	5 points average	220	250	-	1, 4, 5.
Viewing Angle	[degree] [degree]	Horizontal (Right) CR = 10 (Left)	70	80	-	8
			70	80	-	
	[degree] [degree]	Vertical (Upper) CR = 10 (Lower)	70	80	-	
			70	80	-	
Luminance Uniformity		5 Points			1.25	1
Luminance Uniformity		13 Points			1.80	2
CR: Contrast Ratio			500	600	-	6
Cross talk	%				1.4	7
Response Time	[msec]	Rising	-	15	20	8
	[msec]	Falling	-	10	15	
	[msec]	Rising + Falling		25	35	
Color / Chromaticity Coordinates  (CIE 1931)		<b>Red x</b>	0.550	0.580	0.610	2,8
		<b>Red y</b>	0.310	0.340	0.370	
		<b>Green x</b>	0.300	0.330	0.360	
		<b>Green y</b>	0.545	0.575	0.605	
		<b>Blue x</b>	0.125	0.155	0.185	
		<b>Blue y</b>	0.105	0.135	0.165	
		<b>White x</b>	0.283	0.313	0.343	
		<b>White y</b>	0.299	0.329	0.359	
NTSC	[%]	CIE 1931	-	45	-	

**Note 1:** 5 points position (Display area: 261.12 (H) x 163.2 (V) mm)



**Note 2:** 13 points position



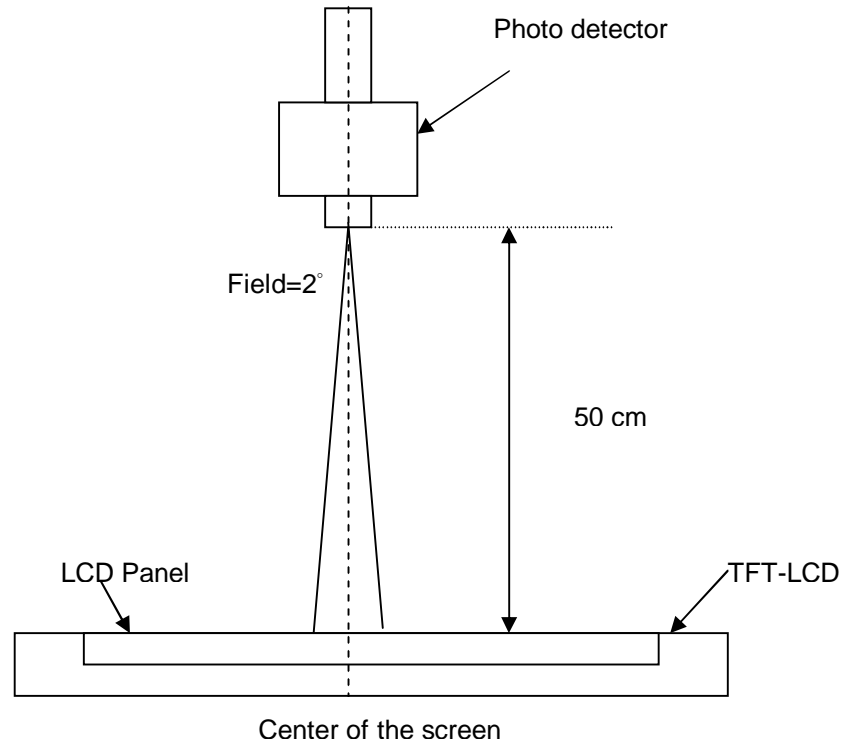
**Note 3:** The luminance uniformity of 5 and 13 points is defined by dividing the maximum luminance values by the minimum test point luminance

$$\delta_{W5} = \frac{\text{Maximum Brightness of five points}}{\text{Minimum Brightness of five points}}$$

$$\delta_{W13} = \frac{\text{Maximum Brightness of thirteen points}}{\text{Minimum Brightness of thirteen points}}$$

**Note 4:** Measurement method

The LCD module should be stabilized at given temperature for 30 minutes to avoid abrupt temperature change during measuring. In order to stabilize the luminance, the measurement should be executed after lighting Backlight for 30 minutes in a stable, windless and dark room.



**Note 5:** Definition of Average Luminance of White ( $Y_L$ ):

Measure the luminance of gray level 63 at 5 points ·  $Y_L = [L(1) + L(2) + L(3) + L(4) + L(5)] / 5$   
 $L(x)$  is corresponding to the luminance of the point X at Figure in Note (1).

**Note 6:** Definition of contrast ratio:

Contrast ratio is calculated with the following formula.

$$\text{Contrast ratio (CR)} = \frac{\text{Brightness on the "White" state}}{\text{Brightness on the "Black" state}}$$



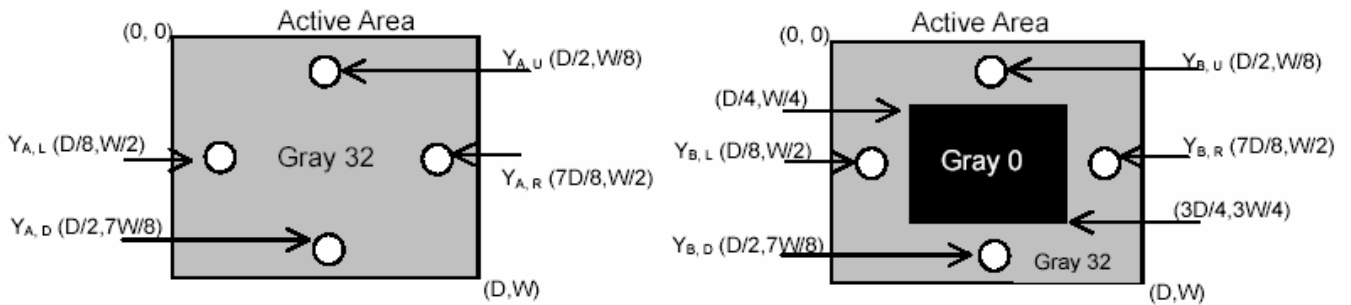
**Note 7:** Definition of Cross Talk (CT)

$$CT = |Y_B - Y_A| / Y_A \times 100 (\%)$$

Where

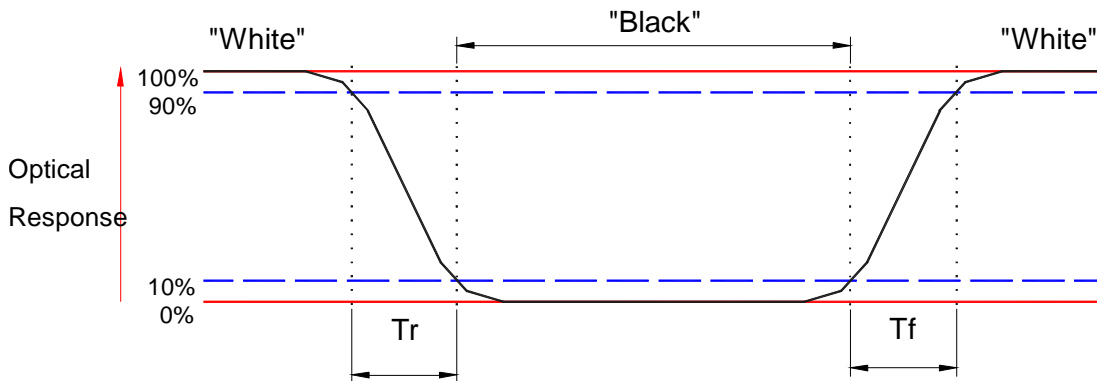
$Y_A$  = Luminance of measured location without gray level 0 pattern (cd/m<sup>2</sup>)

$Y_B$  = Luminance of measured location with gray level 0 pattern (cd/m<sup>2</sup>)



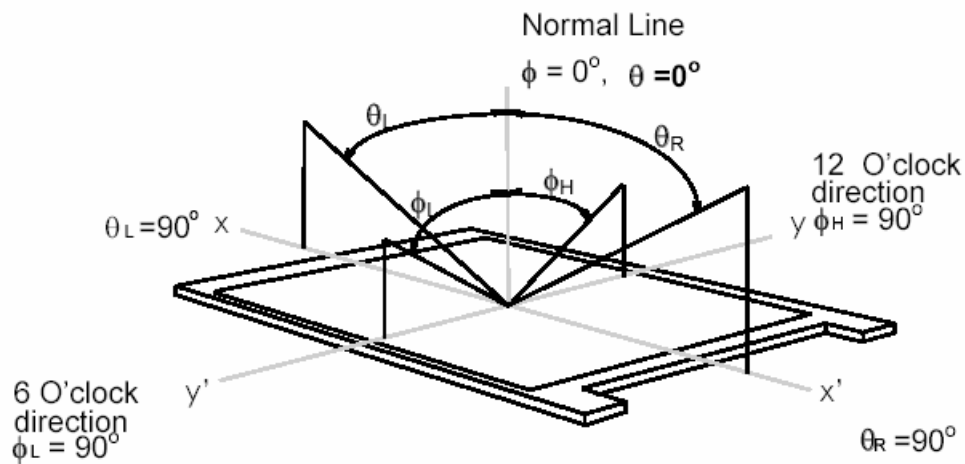
**Note 8:** Definition of response time:

The output signals of BM-7 or equivalent are measured when the input signals are changed from "Black" to "White" (falling time) and from "White" to "Black" (rising time), respectively. The response time interval between the 10% and 90% of amplitudes. Refer to figure as below.



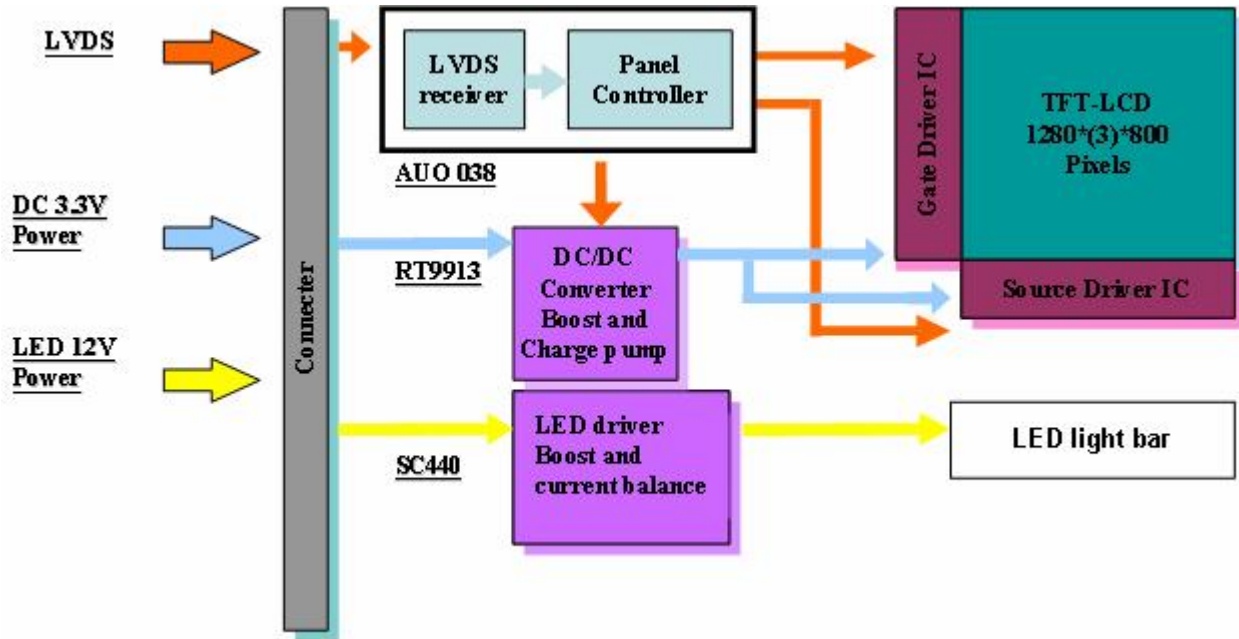
**Note 9:** Definition of viewing angle

Viewing angle is the measurement of contrast ratio  $\geq 10$ , at the screen center, over a  $180^\circ$  horizontal and  $180^\circ$  vertical range (off-normal viewing angles). The  $180^\circ$  viewing angle range is broken down as follows;  $90^\circ$  ( $\theta$ ) horizontal left and right and  $90^\circ$  ( $\Phi$ ) vertical, high (up) and low (down). The measurement direction is typically perpendicular to the display surface with the screen rotated about its center to develop the desired measurement viewing angle.



## 3. Functional Block Diagram

The following diagram shows the functional block of the 12.1 inches wide Color TFT/LCD Module with touch panel:



## 4. Absolute Maximum Ratings

Absolute maximum ratings of the module are as following:

### 4.1 Absolute Ratings of TFT LCD Module

Item	Symbol	Min	Max	Unit	Conditions
Logic/LCD Drive	VDD	-0.3	+4.0	[Volt]	Note 1,2

### 4.2 Absolute Ratings of Backlight Unit

Item	Symbol	Min	Max	Unit	Conditions
LED Current	ILED	-	20.0	[mA] rms	Note 1,2

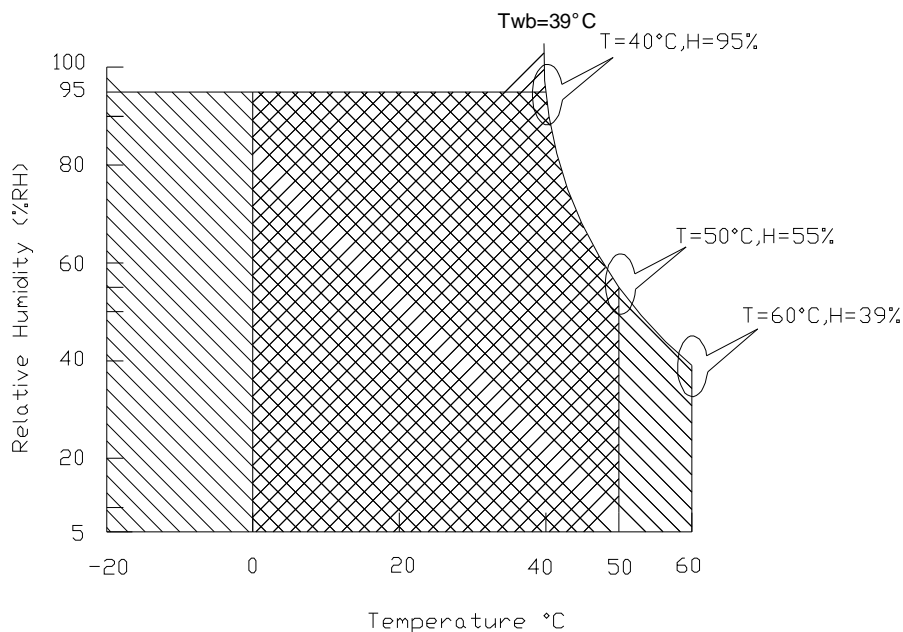
### 4.3 Absolute Ratings of Environment

Item	Symbol	Min	Max	Unit	Conditions
Operating Temperature	TOP	0	+50	[°C]	Note 3
Operation Humidity	HOP	5	95	[%RH]	Note 3
Storage Temperature	TST	-20	+60	[°C]	Note 3
Storage Humidity	HST	5	95	[%RH]	Note 3

**Note 1:** At Ta (25°C)

**Note 2:** Permanent damage to the device may occur if exceed maximum values

**Note 3:** For quality performance, please refer to AUO IIS(Incoming Inspection Standard).



Operating Range



Storage Range



## 5. Electrical characteristics

### 5.1 TFT LCD Module

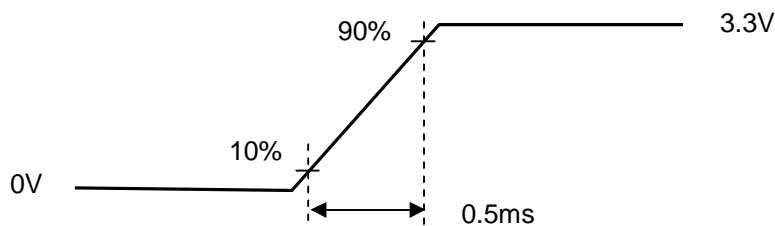
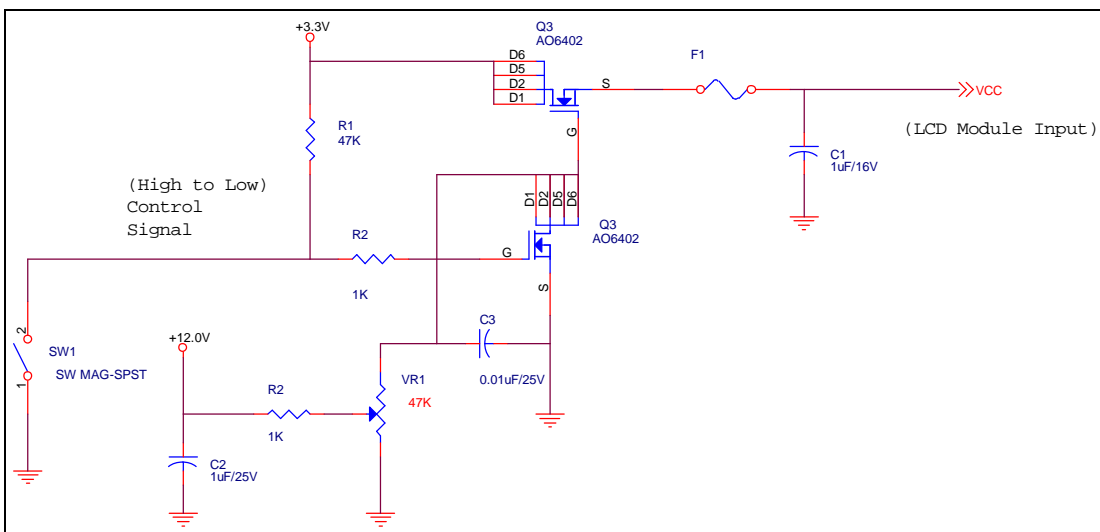
#### 5.1.1 Power Specification

Input power specifications are as follows;

Symble	Parameter	Min	Typ	Max	Units	Note
VDD	Logic/LCD Drive Voltage	3.0	3.3	3.6	[Volt]	
PDD	VDD Power		1.3	1.5	[Watt]	Note 1
IDD	IDD Current		400	420	[mA]	Note 1
IRush	Inrush Current			1800	[mA]	Note 2
VDDrp	Allowable Logic/LCD Drive Ripple Voltage			500	[mV] p-p	
VDDns	Allowable Logic/LCD Drive Ripple Noise			100	[mV] p-p	

**Note 1:** Maximum Measurement Condition : Black Pattern

**Note 2:** Measure Condition



Vin rising time

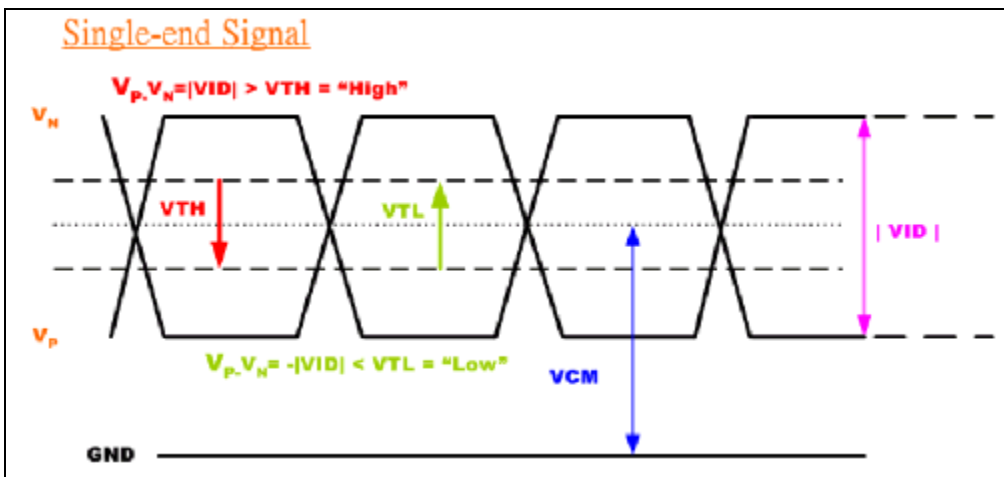
## 5.1.2 Signal Electrical Characteristics

Input signals shall be low or High-impedance state when VDD is off.

Signal electrical characteristics are as follows;

Parameter	Condition	Min	Max	Unit
Vth	Differential Input High Threshold (Vcm=+1.2V)		100	[mV]
Vtl	Differential Input Low Threshold (Vcm=+1.2V)	-100		[mV]
Vcm	Differential Input Common Mode Voltage	0.3	2.2	[V]

**Note:** LVDS Differential Voltage





## 5.2 Backlight Unit

Parameter guideline for LED Inverter

Parameter	Min	Typ	Max	Units	Condition
White Luminance 5 points average	220	250	-	[cd/m <sup>2</sup> ]	(Ta=25°C)
LED current(I <sub>LED</sub> )	18.8	20.0	21.2	[mA] rms	(Ta=25°C)
LED Frequency(F <sub>LED</sub> )	-	800	-	[KHz]	(Ta=25°C)
LED Voltage (Reference) (V <sub>LED</sub> )	3.0	3.2	3.3	[Volt] rms	(Ta=25°C)
LED Power consumption (P <sub>LED</sub> ) @ 20.0 mA	-	3.6	4.0	[Watt]	(Ta=25°C) (Including circuit driving loss)



## 6. Signal Characteristic

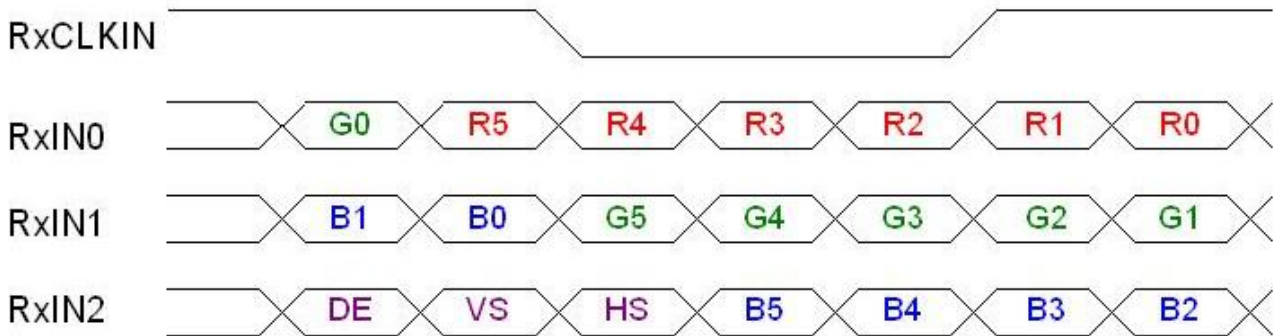
### 6.1 Pixel Format Image

Following figure shows the relationship of the input signals and LCD pixel format.

	0			1			...						1278			1279		
1st Line	R	G	B	R	G	B	-						R	G	B	R	G	B
	·	·	·	·	·	·	·						·	·	·	·	·	·
	·	·	·	·	·	·	·						·	·	·	·	·	·
	·	·	·	·	·	·	·						·	·	·	·	·	·
	·	·	·	·	·	·	·						·	·	·	·	·	·
	·	·	·	·	·	·	·						·	·	·	·	·	·
	·	·	·	·	·	·	·						·	·	·	·	·	·
	·	·	·	·	·	·	·						·	·	·	·	·	·
	·	·	·	·	·	·	·						·	·	·	·	·	·
800th Line	R	G	B	R	G	B	-						R	G	B	R	G	B



## 6.2 The input data format



Signal Name	Description	
+RED5 (R5) +RED4 (R4) +RED3 (R3) +RED2 (R2) +RED1 (R1) +RED0 (R0)	Red Data 5 (MSB) Red Data 4 Red Data 3 Red Data 2 Red Data 1 Red Data 0 (LSB) <b>(Red-pixel Data)</b>	Red-pixel Data Each red pixel's brightness data consists of these 6 bits pixel data.
+GREEN 5 (G5) +GREEN 4 (G4) +GREEN 3 (G3) +GREEN 2 (G2) +GREEN 1 (G1) +GREEN 0 (G0)	Green Data 5 (MSB) Green Data 4 Green Data 3 Green Data 2 Green Data 1 Green Data 0 (LSB) <b>(Green-pixel Data)</b>	Green-pixel Data Each green pixel's brightness data consists of these 6 bits pixel data.
+BLUE 5 (B5) +BLUE 4 (B4) +BLUE 3 (B3) +BLUE 2 (B2) +BLUE 1 (B1) +BLUE 0 (B0)	Blue Data 5 (MSB) Blue Data 4 Blue Data 3 Blue Data 2 Blue Data 1 Blue Data 0 (LSB) <b>(Blue-pixel Data)</b>	Blue-pixel Data Each blue pixel's brightness data consists of these 6 bits pixel data.
-DTCLK	<b>Data Clock</b>	The typical frequency is 71.1 MHz. The signal is used to strobe the pixel data and DSPTMG signals. All pixel data shall be valid at the falling edge when the DSPTMG signal is high.
DSPTMG (DE)	<b>Display Timing</b>	This signal is stored at the falling edge of -DTCLK. When the signal is high, the pixel data shall be valid to be displayed.
VSUNC (VS)	<b>Vertical Sync</b>	The signal is synchronized to -DTCLK .
HSUNC (HS)	<b>Horizontal Sync</b>	The signal is synchronized to -DTCLK .

Note: Output signals from any system shall be low or High-impedance state when VDD is off.

### 6.3 Signal Description/Pin Assignment

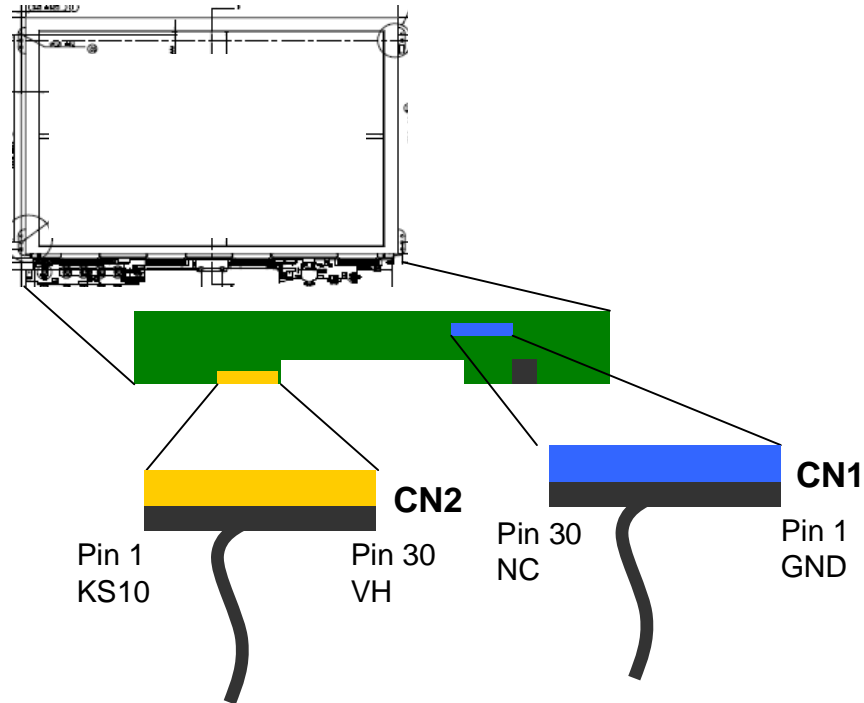
LVDS (CN1) is a differential signal technology for LCD interface and high speed data transfer device.

Pin	Signal Name	Pin	Signal Name
1	GND	2	VDD
3	VDD	4	V <sub>EDID</sub>
5	Aging	6	CLK <sub>EDID</sub>
7	DATA <sub>EDID</sub>	8	RxIN0-
9	RxIN0+	10	GND
11	RxIN1-	12	RxIN1+
13	GND	14	RxIN2-
15	RxIN2+	16	GND
17	RxCLKIN-	18	RxCLKIN+
19	GND	20	NC
21	NC	22	GND
23	NC	24	NC
25	GND	26	NC
27	NC	28	GND
29	NC	30	NC

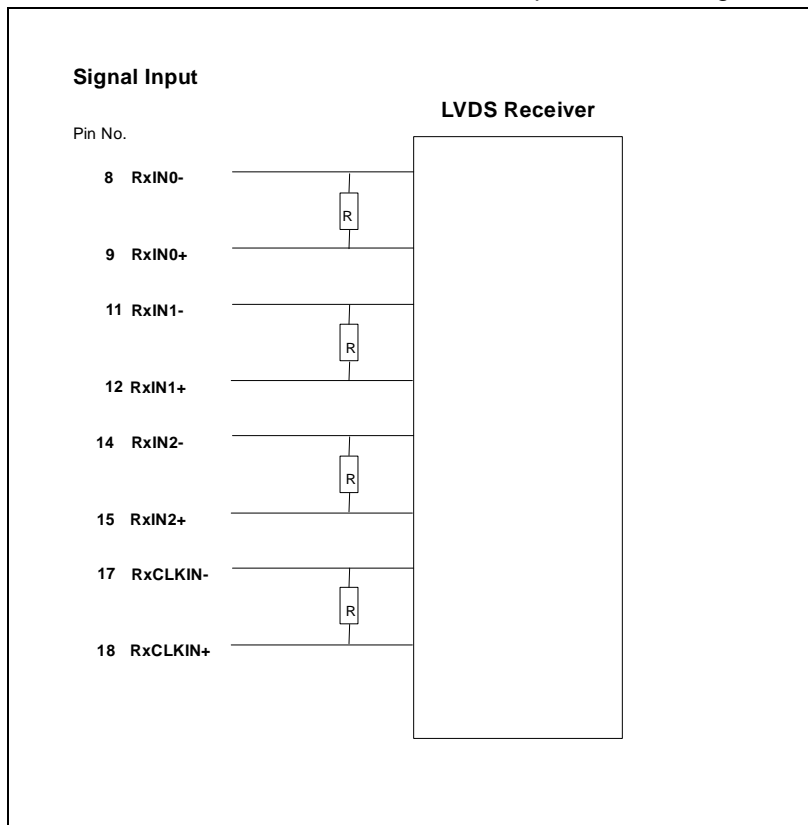
LED driving connector (CN2) provides the interface between system and LCD for control and power of LED BLU.

Pin	Signal Name	Pin	Signal Name
1	KS10	2	KS11
3	KS12	4	KS13
5	KS17	6	KSC18
7	GND	8	Power SW
9	Breath PWR LED	10	+3.3V
11	GND	12	LCD SMDCLK
13	LCD SMB DAT	14	GND
15	HDD LED	16	BAT2 LED
17	BAT1 LED	18	BT LED
19	LED WLAN OUT	20	GND
21	AUD DMIC IN0	22	AUO DMIC CLK_G
23	VL	24	VL
25	VL	26	V_5
27	NC	28	VH
29	VH	30	VH

**Note1:** Start from right side



**Note2:** Input signals shall be low or High-impedance state when VDD is off.  
 Internal circuit of LVDS inputs are as following.  
 The module uses a 100ohm resistor between positive and negative data lines of each receiver input



## 6.4 Interface Timing

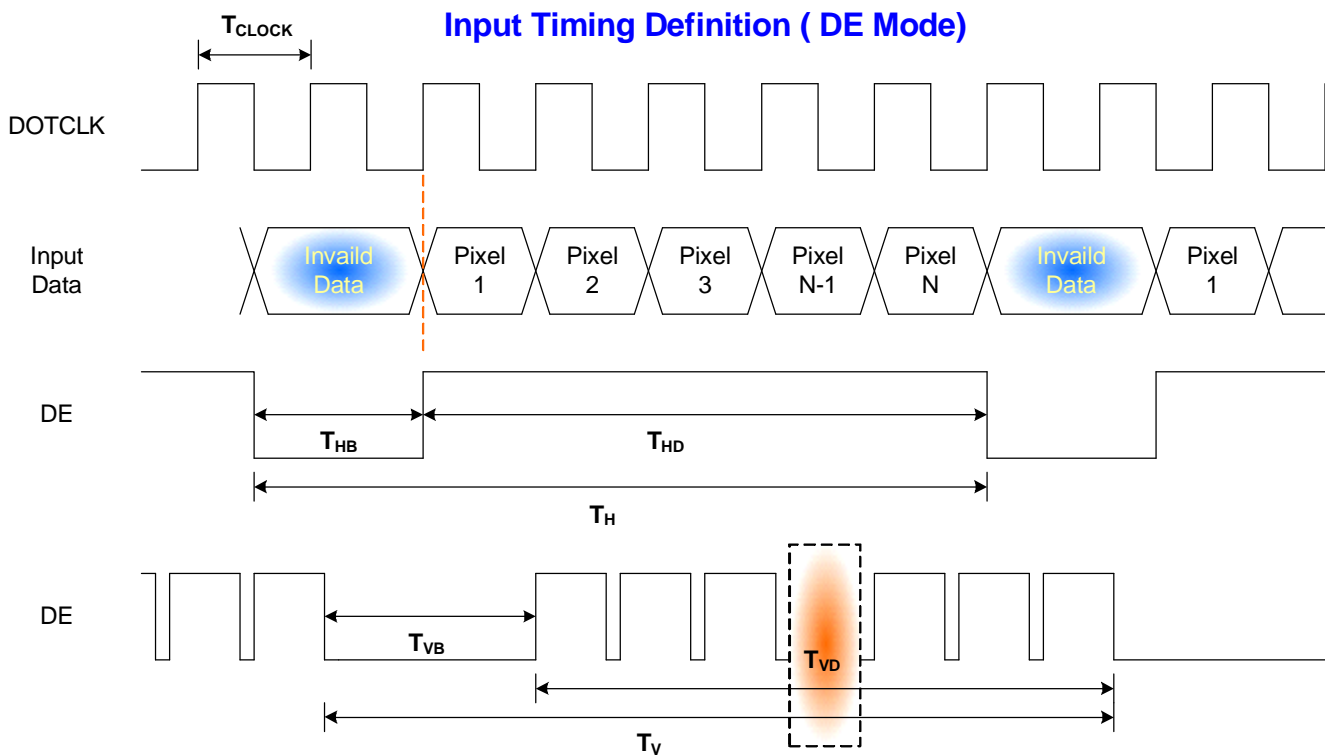
### 6.4.1 Timing Characteristics

Basically, interface timings should match the 1280x800 /60Hz manufacturing guide line timing.

Parameter	Symbol	Min.	Typ.	Max.	Unit	
Frame Rate	-		60	-	Hz	
Clock frequency	$1/T_{\text{Clock}}$		71.1		MHz	
Vertical Section	Period	$T_V$	803	823	1023	$T_{\text{Line}}$
	Active	$T_{VD}$	800	800	800	
	Blanking	$T_{VB}$	3	23	223	
Horizontal Section	Period	$T_H$	1303	1440	2047	$T_{\text{Clock}}$
	Active	$T_{HD}$	1280	1280	1280	
	Blanking	$T_{HB}$	23	160	767	

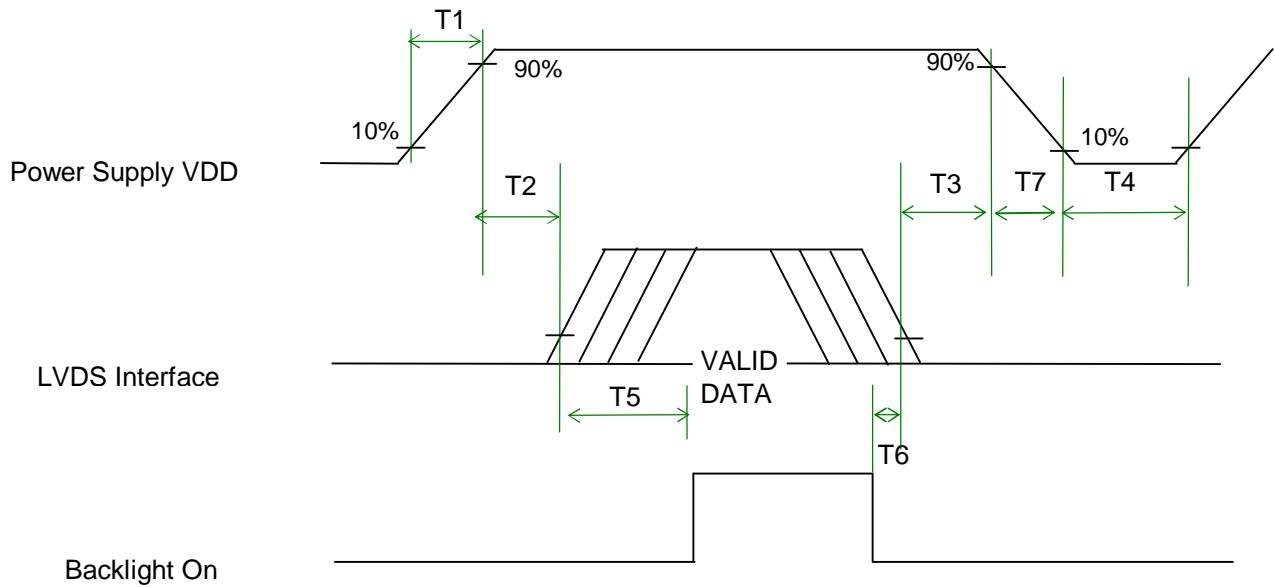
**Note:** DE mode only

### 6.4.2 Timing diagram



## 6.5 Power ON/OFF Sequence

VDD power and lamp on/off sequence is as follows. Interface signals are also shown in the chart. Signals from any system shall be Hi-Z state or low level when VDD is off.



### Power Sequence Timing

Parameter	Value			Units
	Min.	Typ.	Max.	
T1	0.5	-	10	(ms)
T2	0	-	50	(ms)
T3	0	-	50	(ms)
T4	400	-	-	(ms)
T5	200	-	-	(ms)
T6	200	-	-	(ms)
T7	0	-	10	(ms)



## 7. Connector Description

Physical interface is described as for the connector on module.

These connectors are capable of accommodating the following signals and will be following components.

<b>Connector Name / Designation</b>	<b>LVDS (CN1)/ LED BLU (CN2)</b>
Manufacturer	JAE
Type / Part Number	JAE FI-J30S-VF15N
Mating Housing/Part Number	JAE FI-J30C3
Mating Contact/Part Number	JAE FI-J30C3



## 8. Vibration and Shock Test

### 8.1 Vibration Test

**Test Spec:**

- I Test method: Non-Operation
- I Acceleration: 1.5G , sine wave
- I Frequency: 10 - 500Hz Random
- I Sweep: 0.5 octave/minute in each of three mutually perpendicular axes.

### 8.2 Shock Test Spec:

**Test Spec:**

- I Test method: Non-Operation
- I Acceleration: 180 G , Half sine wave
- I Active time: 2 ms
- I Pulse: Half sine wave



## 9. Reliability

Subject	Description
Operating High Temperature	+50°C ,Dynamic ,250hr ,Humidity 20%
Operating Low Temperature	0°C ,Dynamic ,250hr ,Humidity 20%
Storage High Temperature	+65°C ,Non_Operating ,250hr ,Humidity 20%
Storage Low Temperature	-20°C ,Non_Operating ,250hr
High Temp &High Humidity	+40°C ,Dynamic ,Humidity 95% ,250hr
Temperature Cycling Non-Operating	-40°C to +65°C ,Ramp< 20°C /min, Duration at Temp. = 30 min, Test Cycles =50
Altitude	Op(0~14000 ft) Non-op (0~40000ft)
MTBF	200K hrs
Storage Shock	180g's, 2.0 ms, Half Sine Wave ± 3 Axis ( +X, -X, +Y, -Y, +Z, -Z) 1Shocks per Direction
Storage Vibration	1.5 Grms, 30 min/side, PSD Spectrum Break Points, 26 Hz G2/Hz=0.316, 50 Hz G2/Hz=0.007, 222 Hz G2/Hz=0.0018, 500Hz G2/Hz=0.0001
ESD	Contact : ±8 KV Air : ±15 KV

**Note1:** According to EN61000-4-2, ESD class B: Some performance degradation allowed. No data lost. Self-recoverable. No hardware failures.

**Note2:** MTBF (Excluding the LED): 20,000 hours with a confidence level 90%.

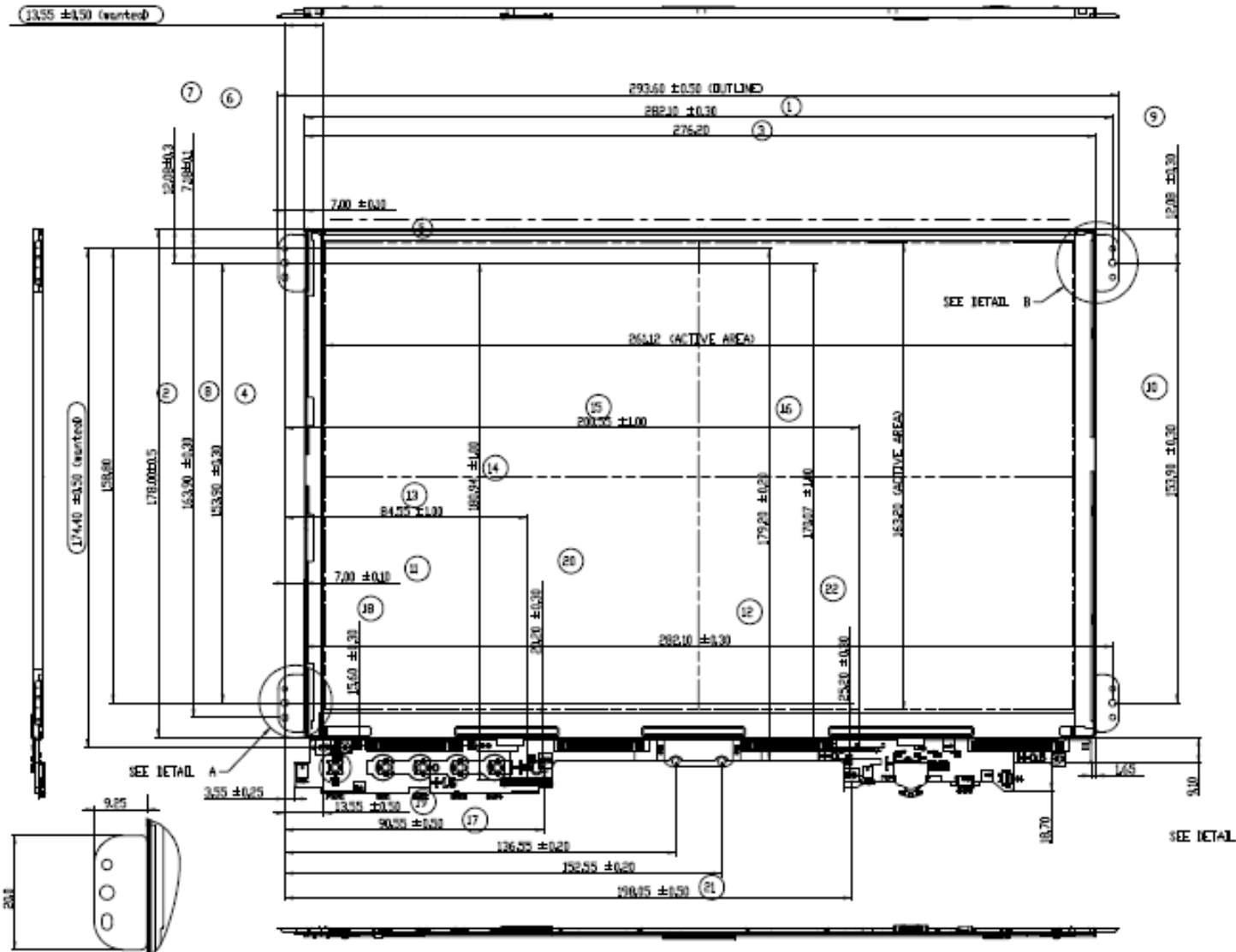




# Product Specification

B121EW04 V1

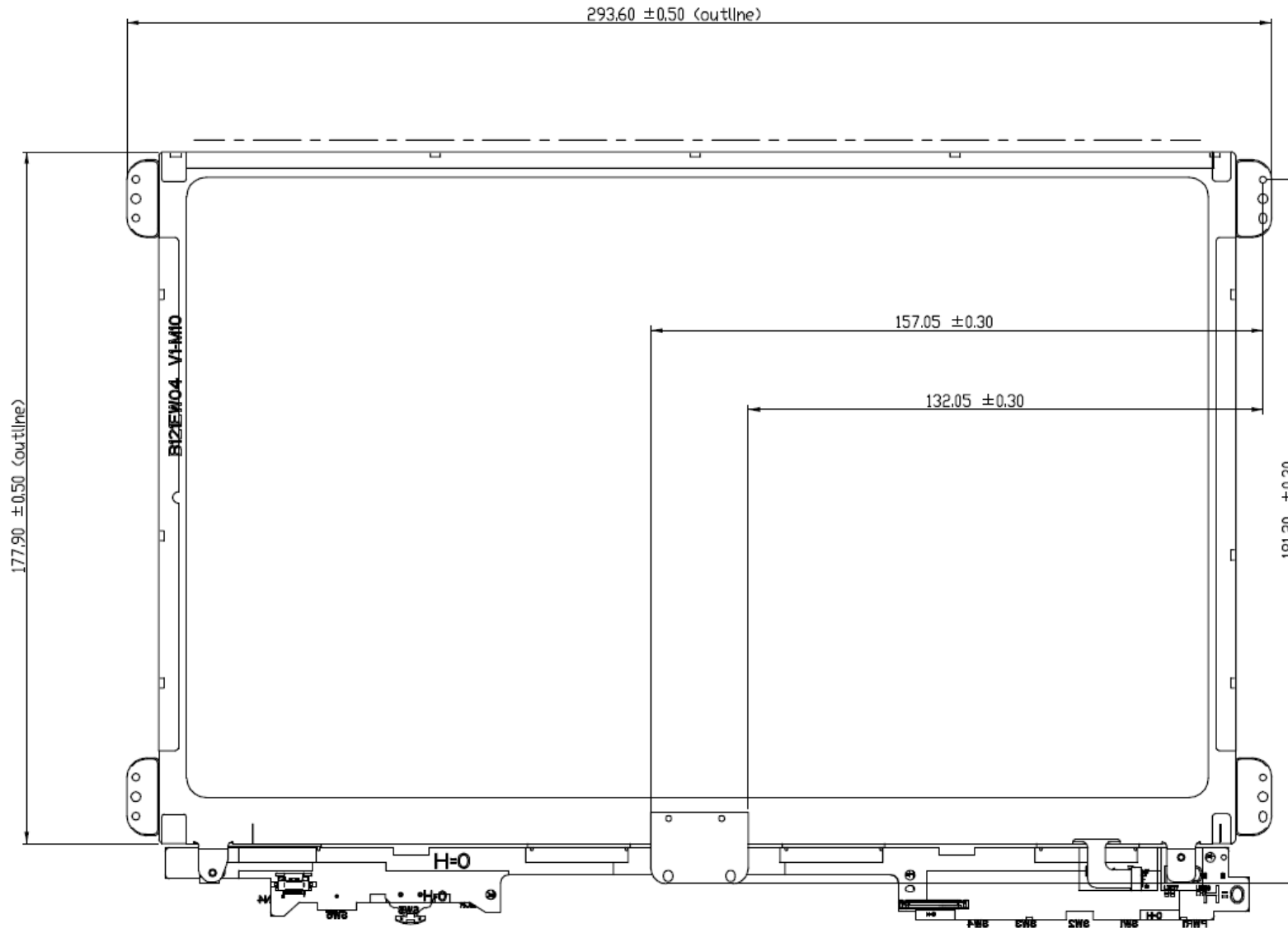
## 10. Mechanical Characteristics





# Product Specification

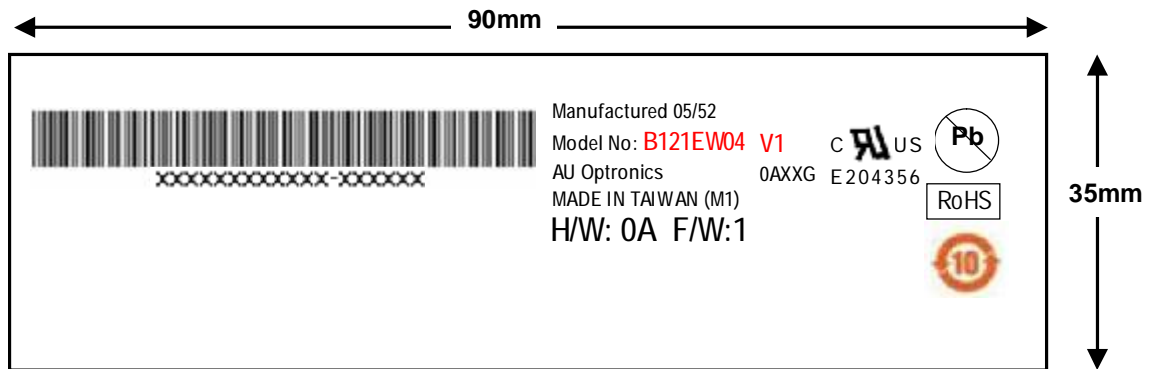
B121EW04 V1



## 11. Shipping and Package

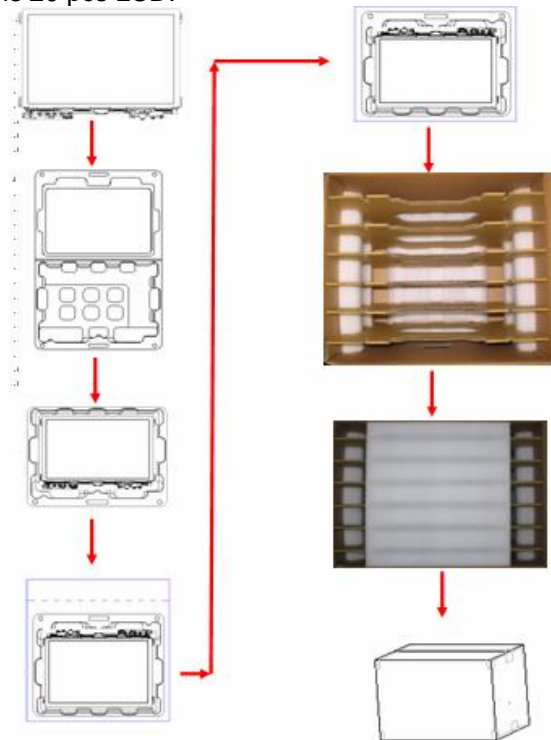
### 11.1 Shipping Label Format

AUO LCD S/N Label: This label records the model name, firmware/ hardware version, manufacture date, and serial number of the LCD in AUO.

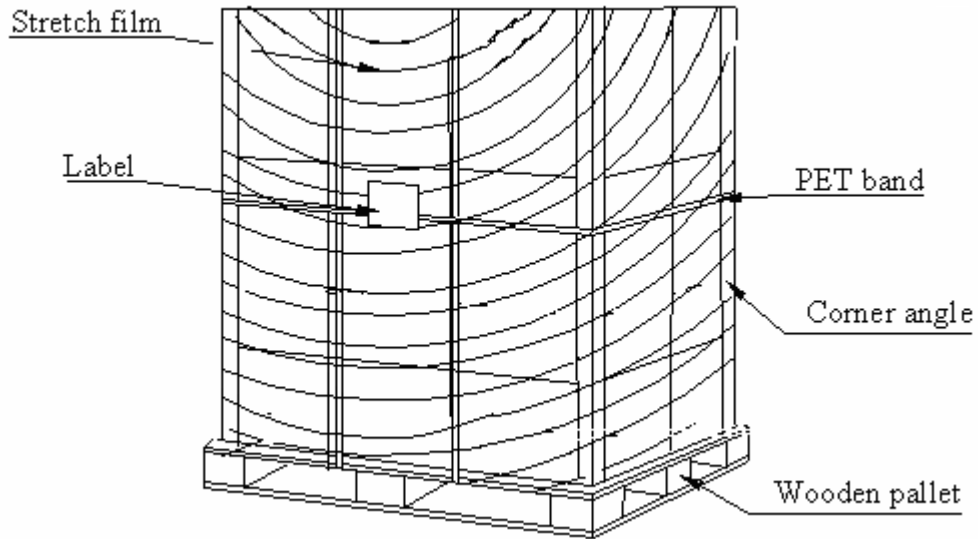


### 11.2. Carton package

The outside dimension of carton is 423(L)mm\* 374(W)mm\* 335(H)mm, carton and cushion weight are 1800g. Maximum quantity of each carton is 20 pcs LCD.



## 11.3 Shipping package of palletizing





## 12. Appendix: EDID description

HEX	FUNCTION			
00	Header	00	00000000	0
01	Header	FF	11111111	255
02	Header	FF	11111111	255
03	Header	FF	11111111	255
04	Header	FF	11111111	255
05	Header	FF	11111111	255
06	Header	FF	11111111	255
07	Header	00	00000000	0
08	EISA manufacture code = 3 Character ID	06	00000110	6
09	EISA manufacture code (Compressed ASCII)	AF	10101111	175
0A	Panel Supplier Reserved – Product Code	14	00010100	20
0B	Panel Supplier Reserved – Product Code	42	01000010	66
0C	LCD module Serial No - Preferred but Optional (“0” if not used)	00	00000000	0
0D	LCD module Serial No - Preferred but Optional (“0” if not used)	00	00000000	0
0E	LCD module Serial No - Preferred but Optional (“0” if not used)	00	00000000	0
0F	LCD module Serial No - Preferred but Optional (“0” if not used)	00	00000000	0
10	Week of manufacture	01	00000001	1
11	Year of manufacture	11	00010001	17
12	EDID structure version # = 1	01	00000001	1
13	EDID revision # = 3	03	00000011	3
14	Video I/P definition = Digital I/P (80h)	80	10000000	128
15	Max H image size = (Rounded to cm)	1A	00011010	26
16	Max V image size = (Rounded to cm)	10	00010000	16
17	Display gamma = (gamma ×100)-100 Example: ( 2.2×100 ) – 100 = 120	78	01111000	120
18	Feature support ( no DPMS, Active off, RGB, timing BLK 1)	0A	00001010	10
19	Red/Green Low bit (RxRy/GxGy)	89	10001001	137
1A	Blue/White Low bit (BxBY/WxWy)	E5	11100101	229



# Product Specification

B121EW04 V1

1B	Red X	94	10010100	148
1C	Red Y	57	01010111	87
1D	Green X	54	01010100	84
1E	Green Y	93	10010011	147
1F	Blue X	27	00100111	39
20	Blue Y	22	00100010	34
21	White X	50	01010000	80
22	White Y	54	01010100	84
23	Established timings 1 (00h if not used)	00	00000000	0
24	Established timings 2 (00h if not used)	00	00000000	0
25	Manufacturer's timings (00h if not used)	00	00000000	0
26	Standard timing ID1 (01h if not used)	01	00000001	1
27	Standard timing ID1 (01h if not used)	01	00000001	1
28	Standard timing ID2 (01h if not used)	01	00000001	1
29	Standard timing ID2 (01h if not used)	01	00000001	1
2A	Standard timing ID3 (01h if not used)	01	00000001	1
2B	Standard timing ID3 (01h if not used)	01	00000001	1
2C	Standard timing ID4 (01h if not used)	01	00000001	1
2D	Standard timing ID4 (01h if not used)	01	00000001	1
2E	Standard timing ID5 (01h if not used)	01	00000001	1
2F	Standard timing ID5 (01h if not used)	01	00000001	1
30	Standard timing ID6 (01h if not used)	01	00000001	1
31	Standard timing ID6 (01h if not used)	01	00000001	1
32	Standard timing ID7 (01h if not used)	01	00000001	1
33	Standard timing ID7 (01h if not used)	01	00000001	1
34	Standard timing ID8 (01h if not used)	01	00000001	1
35	Standard timing ID8 (01h if not used)	01	00000001	1
36	Pixel Clock/10,000 (LSB)	E9	11101001	233
37	Pixel Clock/10,000 (MSB)	1B	00011011	27
38	Horizontal Active (lower 8 bits)	00	00000000	0
39	Horizontal Blanking (Thbp) (lower 8 bits)	A8	10101000	168
3A	Horizontal Active/Horizontal blanking (Thbp) (upper4:4 bits)	50	01010000	80
3B	Vertical Active	20	00100000	32
3C	Vertical Blanking (Tvbp) (DE Blanking typ. for DE only panels)	16	00010110	22
3D	Vertical Active: Vertical Blanking (Tvbp) (upper4:4 bits)	30	00110000	48



# Product Specification

B121EW04 V1

3E	Horizontal Sync, Offset (Thfp)	30	00110000	48
3F	Horizontal Sync, Pulse Width	20	00100000	32
40	Vertical Sync, Offset (Tvfp) Sync Width	36	00110110	54
41	Horizontal Vertical Sync Offset/Width upper 2 bits	00	00000000	0
42	Horizontal Image Size	05	00000101	5
43	Vertical image Size	A3	10100011	163
44	Horizontal Image Size / Vertical image size	10	00010000	16
45	Horizontal Border = 0 (Zero for Notebook LCD)	00	00000000	0
46	Vertical Border = 0 (Zero for Notebook LCD)	00	00000000	0
47	Non-interlaced, Normal, no stereo, Separate sync, H/V pol Negatives, <b>DE only note: LSB is set to "1" if panel is DE-timing only. H/V can be ignored.</b>	19	00011001	25
48	Pixel Clock/10,000 (LSB)	00	00000000	0
49	Pixel Clock/10,000 (MSB)	00	00000000	0
4A	Horizontal Active = xxxx pixels (lower 8 bits)	00	00000000	0
4B	Horizontal Blanking (Thbp) = xxxx pixels (lower 8 bits)	00	00000000	0
4C	Horizontal Active/Horizontal blanking (Thbp) (upper4:4 bits)	00	00000000	0
4D	Vertical Active = xxxx lines	00	00000000	0
4E	Vertical Blanking (Tvbp) = xxxx lines (DE Blanking typ. for DE only panels)	00	00000000	0
4F	Vertical Active : Vertical Blanking (Tvbp) (upper4:4 bits)	00	00000000	0
50	Horizontal Sync, Offset (Thfp) = xxxx pixels	00	00000000	0
51	Horizontal Sync, Pulse Width = xxxx pixels	00	00000000	0
52	Vertical Sync, Offset (Tvfp) = xx lines Sync Width = xx lines	00	00000000	0
53	Horizontal Vertical Sync Offset/Width upper 2 bits	00	00000000	0
54	Horizontal Image Size =xxx mm	00	00000000	0
55	Vertical image Size = xxx mm	00	00000000	0
56	Horizontal Image Size / Vertical image size	00	00000000	0
57	Horizontal Border = 0 (Zero for Notebook LCD)	00	00000000	0
58	Vertical Border = 0 (Zero for Notebook LCD)	00	00000000	0
59	Module "A" Revision = Example: 00, 01, 02, 03, etc.	00	00000000	0
5A	Flag	00	00000000	0
5B	Flag	00	00000000	0
5C	Flag	00	00000000	0
5D	Dummy Descriptor	FE	11111110	254



# Product Specification

B121EW04 V1

5E	Flag	00	00000000	0
5F	Dell P/N 1 <sup>st</sup> Character	4B	01001011	75
60	Dell P/N 2 <sup>nd</sup> Character	58	01011000	88
61	Dell P/N 3 <sup>rd</sup> Character	37	00110111	55
62	Dell P/N 4 <sup>th</sup> Character	37	00110111	55
63	Dell P/N 5 <sup>th</sup> Character	34	00110100	52
64	LCD Supplier EEDID Revision #	01	00000001	1
65	Manufacturer P/N	42	01000010	66
66	Manufacturer P/N	31	00110001	49
67	Manufacturer P/N	32	00110010	50
68	Manufacturer P/N	31	00110001	49
69	Manufacturer P/N	45	01000101	69
6A	Manufacturer P/N	57	01010111	87
6B	Manufacturer P/N (If <13 char, then terminate with ASCII code 0Ah, set remaining char = 20h)	34	00110100	52
6C	Flag	00	00000000	0
6D	Flag	00	00000000	0
6E	Flag	00	00000000	0
6F	Data Type Tag:	FE	11111110	254
70	Flag	00	00000000	0
71	SMBUS Value	0B	00001011	11
72	SMBUS Value	13	00010011	19
73	SMBUS Value	1B	00011011	27
74	SMBUS Value	21	00100001	33
75	SMBUS Value	43	01000011	67
76	SMBUS Value	7A	01111010	122
77	SMBUS Value	A6	10100110	166
78	SMBUS Value = max nits (Typically = 00h)	FF	11111111	255
79	Number of LVDS receiver chips = '01' or '02'	01	00000001	1
7A	BIST Enable: Yes = '01' No = '00'	01	00000001	1
7B	(If <13 char, then terminate with ASCII code 0Ah, set remaining char = 20h)	0A	00001010	10
7C	(If <13 char, then terminate with ASCII code 0Ah, set remaining char = 20h)	20	00100000	32
7D	(If <13 char, then terminate with ASCII code 0Ah, set remaining char = 20h)	20	00100000	32





# Product Specification

B121EW04 V1

<b>7E</b>	Extension flag (# of optional 128 EDID extension blocks to follow, Typ = 0)	00	00000000	0
<b>7F</b>	Checksum (The 1-byte sum of all 128 bytes in this EDID block shall = 0)	D3	11010011	211